



On the  
Water  
Designs

**Pole Docks**  
Designer Series



*Dock Designs As Unique  
As Your Waterfront*

20

All Canadian  
Decking Options



[www.OnTheWaterDesigns.com](http://www.OnTheWaterDesigns.com)

# Pole Docks

## Designer Series

Handcrafted in Muskoka using high-quality Canadian materials, our Designer Series Pole Docks feature marine-grade aluminum framing and stainless steel fasteners for a rust-free, durable design. Ideal for shallow water, they provide security and stability.

Growing family? Our docks can be easily reconfigured and expanded to suit future needs. Custom sizes and flexible designs allow for additional adaptability, and frames include decking support stringers every 16" for compatibility with various decking options. Exclusive deck panel clips secure the decking, providing peace of mind in rough conditions. 8' & 10' wide docks include center leg holders and frame support.



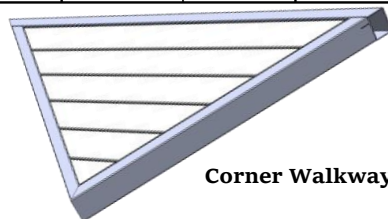
All Pole Docks Include:

- ✓ Frame & Decking (If Purchased)
- ✓ Foot Pads & Pole Caps
- ✓ Connecting Fasteners
- ✓ 10 Year Welded Frame Warranty



**20** All Canadian Decking Options

Size		Dock				Ramp			
		Micro Pro PT	Western Red Cedar	Clubhouse PVC	Clubhouse PVC+	Micro Pro PT	Western Red Cedar	Clubhouse PVC	Clubhouse PVC+
W	L								
4'	10'	1,625	1,900	2,150	2,450	\$1,500	\$1,775	\$2,025	\$2,325
		PD0410-PT	PD0410-WR	PD0410-PV	PD0410-GL	PR0410-PT	PR0410-WR	PR0410-PV	PR0410-GL
	15'	2,425	2,850	3,200	3,625	\$2,475	\$2,900	\$3,250	\$3,675
		PD0415-PT	PD0415-WR	PD0415-PV	PD0415-GL	PR0415-PT	PR0415-WR	PR0415-PV	PR0415-GL
	20'	3,075	3,650	4,150	4,725	\$3,225	\$3,800	\$4,300	\$4,875
		PD0420-PT	PD0420-WR	PD0420-PV	PD0420-GL	PR0420-PT	PR0420-WR	PR0420-PV	PR0420-GL
6'	10'	2,100	2,525	2,900	3,350	\$1,975	\$2,400	\$2,775	\$3,225
		PD0610-PT	PD0610-WR	PD0610-PV	PD0610-GL	PR0610-PT	PR0610-WR	PR0610-PV	PR0610-GL
	15'	3,050	3,700	4,275	4,925	\$3,075	\$3,725	\$4,300	\$4,950
		PD0615-PT	PD0615-WR	PD0615-PV	PD0615-GL	PR0615-PT	PR0615-WR	PR0615-PV	PR0615-GL
	20'	3,900	4,800	5,600	6,500	\$4,050	\$4,950	\$5,750	\$6,650
		PD0620-PT	PD0620-WR	PD0620-PV	PD0620-GL	PR0620-PT	PR0620-WR	PR0620-PV	PR0620-GL
8'	10'	3,125	3,675	4,175	4,750	\$3,000	\$3,550	\$4,050	\$4,625
		PD0810-PT	PD0810-WR	PD0810-PV	PD0810-GL	PR0810-PT	PR0810-WR	PR0810-PV	PR0810-GL
	15'	4,575	5,450	6,200	7,050	\$4,075	\$4,950	\$5,700	\$6,550
		PD0815-PT	PD0815-WR	PD0815-PV	PD0815-GL	PR0815-PT	PR0815-WR	PR0815-PV	PR0815-GL
	20'	5,850	7,000	8,000	9,150	\$5,350	\$6,500	\$7,550	\$8,700
		PD0820-PT	PD0820-WR	PD0820-PV	PD0820-GL	PR0820-PT	PR0820-WR	PR0820-PV	PR0820-GL
10'	10'	3,925	4,650	5,300	6,000	\$3,650	\$4,400	\$5,050	\$5,750
		PD1010-PT	PD1010-WR	PD1010-PV	PD1010-GL	PR1010-PT	PR1010-WR	PR1010-PV	PR1010-GL
	15'	5,550	6,650	7,600	8,700	\$5,100	\$6,150	\$7,150	\$8,200
		PD1015-PT	PD1015-WR	PD1015-PV	PD1015-GL	PR1015-PT	PR1015-WR	PR1015-PV	PR1015-GL
	20'	7,000	8,500	9,800	11,300	\$6,600	\$8,100	\$9,400	\$10,900
		PD1020-PT	PD1020-WR	PD1020-PV	PD1020-GL	PR1020-PT	PR1020-WR	PR1020-PV	PR1020-GL
Corner Walkway	3'	720	770	790	840				
		DS0003-PT	DS0003-WR	DS0003-PV	DS0003-GL				
	4'	830	900	925	975				
		DS0004-PT	DS0004-WR	DS0004-PV	DS0004-GL				
	5'	940	1,025	1,050	1,125				
		DS0005-PT	DS0005-WR	DS0005-PV	DS0005-GL				



Corner Walkway



Delivery & Installation is available through a professional 3rd party installation crew.  
 Delivery is \$300/HR one way. Installation is generally 10% - 13% and may change based on specific requirements.  
 All prices subject to change without notice. All measurements are approximate.

# Pole Docks

## Designer Series

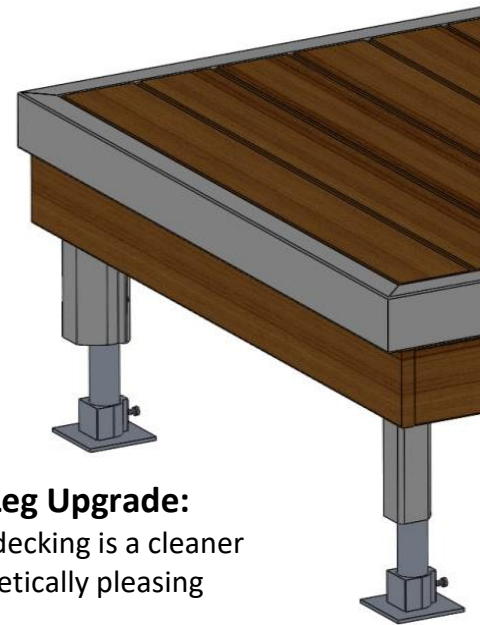
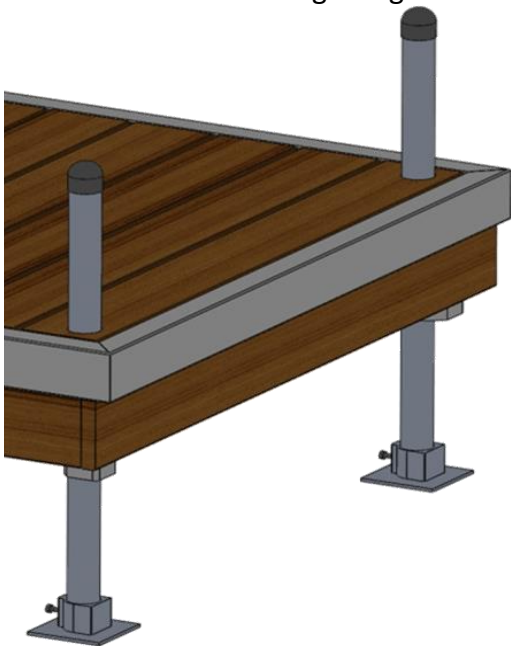


### Pole Dock Options

HD Anchor Package For Pole Dock	Kit contains 175lb anchor, 2 cables, turnbuckles & fastening hardware	\$ 330.00			
		DS9060			
Accessory Reinforcement	HD aluminum bracket welded below decking to reinforce cleats & mooring whips	\$ 75.00	\$ 70.00		
		Cleat AH0040	Whip AH0041		
Extra Leg Holder	Add leg holders where needed to complete your design. 2 are typically needed at the start of a system. Also used to create "L" shapes	\$ 70.00	\$ 90.00		
		Standard AH0075	Hidden AH0070		
Hidden Leg Upgrade	Dock Legs stay hidden below your decking for a clean appearance. Pole adjustment is limited to 8"	\$ 43.00	\$ 75.00		
		10' DS9070-10	15' & 20' DS9070-15		
Soft Bottom Solution	Sinking past your ankles? Use Large Feet Sinking to your shins? Use Patio Stones	\$ 35.25	\$ 18.50		
		Large Foot AH0090	Patio Stone OH0015		
Skirting (/ft)	Deck board running below dock frame adds an attractive natural finish and hides the gap between the dock and water	\$ 7.30	\$ 9.25	\$ 14.25	\$ 16.25
		PT DS9025-PT	Cedar DS9025-WR	PVC DS9025-PV	PVC+ DS9025-GL
Anti-Sway Bar	Telescopic bar runs diagonally between two legs. Optional on 6' legs & recommended with 8' legs	\$ 100.00	\$ 110.00	\$ 125.00	\$ 145.00
		4' AH0010-04	6' AH0010-06	8' AH0010-08	10' AH0010-10
Aluminum Pole	1-1/2" Sched 40 marine grade aluminum pole. Anti-sway bars recommended where 8' poles are used	\$ 40.00	\$ 60.00	\$ 80.00	\$ 230.00
		4' AH0005-04	6' AH0005-06	8' AH0005-08	24' AH0005-24

### Standard Leg Design

- ✓ Legs raised above decking can be used to tie up your boat
- ✓ Great for fluctuating water levels allowing you to raise & lower your dock the full height of the dock legs
- ✓ Can act as a support handle for people needing extra assistance getting in & out of boats



### Why Choose Hidden Leg Upgrade:

- ✓ Poles hidden below decking is a cleaner look and more aesthetically pleasing
- ✓ Hidden leg eliminates unwanted hazard of dock legs protruding through decking
- ✓ Dock legs remain hidden under decking allowing more useable surface area
- ✓ Choose when dock height will not need to be adjusted more than 8"



# Pole Docks Designer Series

**Contact Us**  
On the Water Designs  
Kilworthy (Muskoka) ON  
(866) 477-0177  
info@onthewaterdesigns.com


**Heavy Slant P Bumper**  

**\$ 70.00**  
 10'4" Length  
 BU5124-##  
 WH BL


**Large Corner Bumper**  
  
**\$45.00**  
 BU0065-##  
 BE WH BL GY

**Heavy Outside Corner**  
  
**\$41.00**  
 BU0060-##  
 WH BL GY

**6" Flip Up Cleat**  
  
**\$ 25.00**  
 CL0601-##  
 WH BL GY  
 Install 6" Cleat LB2006 \$ 15.75  
 Hardware Only SS9006-CB 9.5

**Bumper Installation**  
  
 Factory Install Bumper LB2010 \$26  
 Factory Install Corner LB2015 \$11  
 Bumper Screws (100pk) SS0822-SC \$25

**Premium Solar Light**  
  
**\$65.00**  
 SL0000-WH

**Hand Rail - Aluminum**  
  

10'	DS9055-10	\$ 630
15'	DS9055-15	840
20'	DS9055-20	1,225

**NEW!**  
**Solar Dock Lite [Black]**  
  
**\$40.00**  
 SL0050-WH



**Premium Mooring Whips**

	Capacity	Size
8'	2,500 lbs	\$ 420
		WH0250
12'	5,000 lbs	620
		WH0500
14'	10,000 lbs	720
		WH1000
Wake Watcher	3,500 lbs	680
		WH0350
Install Whips		42
		LB2025



**Wake Watcher™**

**Solar Post Lite (2pk)**  
  
**\$105.00**  
 SL0025-WH



**Water Entry Staircase**

	Height	Grey
3 Step	24"-36"	\$ 990
		LA5003
4 Step	30"-42"	1,125
		LA5004
5 Step	36"-48"	1,250
		LA5005
6 Step	42"-54"	1,375
		LA5006
7 Step	48"-60"	1,500
		LA5007
8 Step	54"-66"	1,625
		LA5008

**Measurements**

Inside Width	27.5"
Outside Width	31.5"
Railing Height	32"
Step Rise	7.5"



**Angled Ladder**

	Black	White	Grey	Measurements
3 Step	\$ 550	\$ 550	\$ 530	ID 18"
	LA0103-BL	LA0103-WH	LA0103-GY	OD 20.5"
4 Step	630	630	590	Step Height 11"
	LA0104-BL	LA0104-WH	LA0104-GY	3 Step 33"
5 Step	700	700	660	4 Step 44"
	LA0105-BL	LA0105-WH	LA0105-GY	5 Step 55"
Install Ladder	LB2020			Angle 15°

